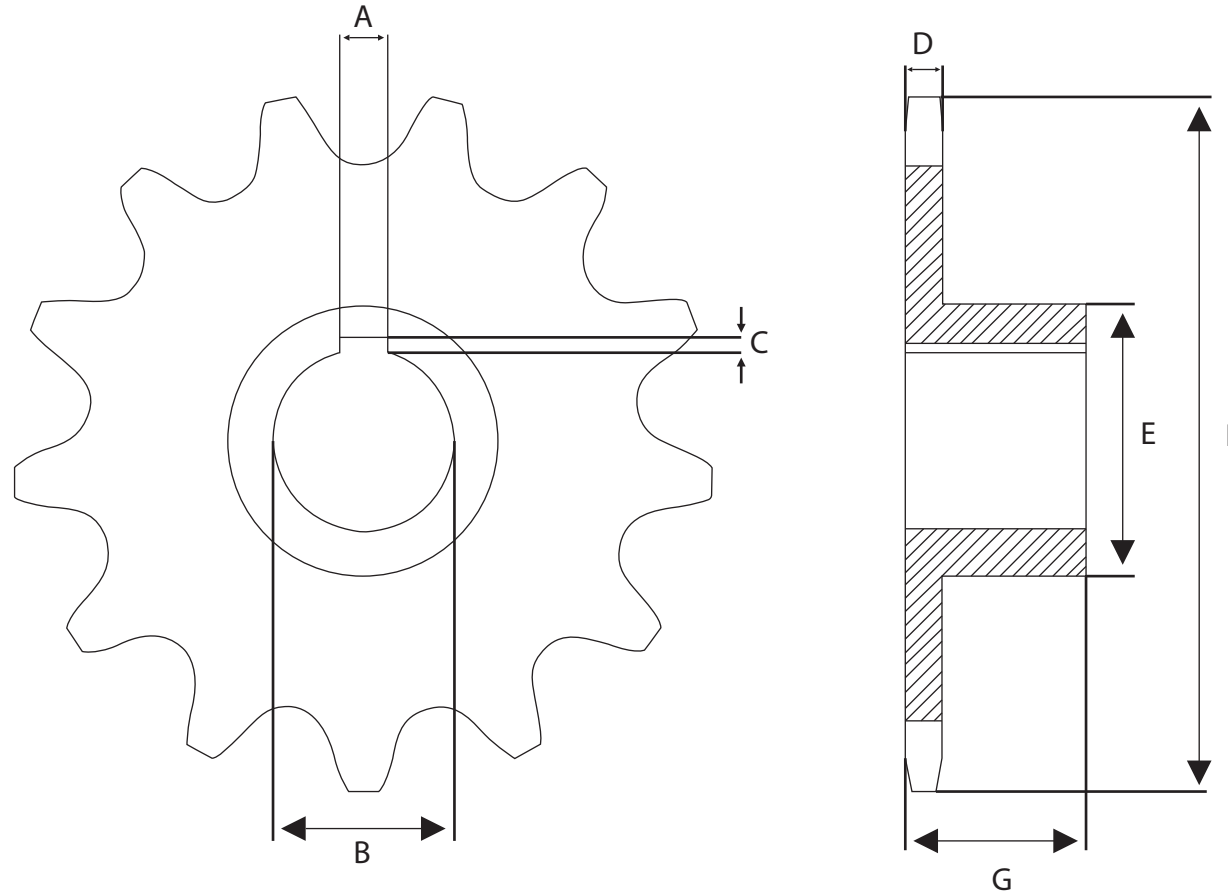


CHAIN SPROCKET



MEASUREMENTS ARE ALL IN MM

Material:
Quantity:
A - Keyway:
B - Bore Dia.:
C - Keyway Depth:
D - Teeth Width:
E - Hub Dia.:
F - Overall Dia.:
G - Overall Thickness:

Tegman

(PTY) LTD

PROUDLY LEVEL 2 B-BBEE (52%)

Reg. No: 2017/309886/07 VAT No: 4770280362

HEAD OFFICE DURBAN

Tel: 031 563 4252
 Office Cell: 072 299 4947
 Email: sales@tegman.co.za
 Website: www.tegman.co.za
 Physical Address: Unit 31 Victoria Park,
 123-127 Old North Coast Road, Glen Anil
 P.O. Box 201897, Durban North, 4016

GAUTENG:

Cell: 067 008 5354

NELSPRUIT:

Cell: 068 533 4089

CAPE TOWN:

Cell: 063 516 8720

CUSTOMER:
CONTACT PERSON:
CONTACT NUMBER:
EMAIL:
APPROVED FOR MANUFACTURE SIGNATURE: