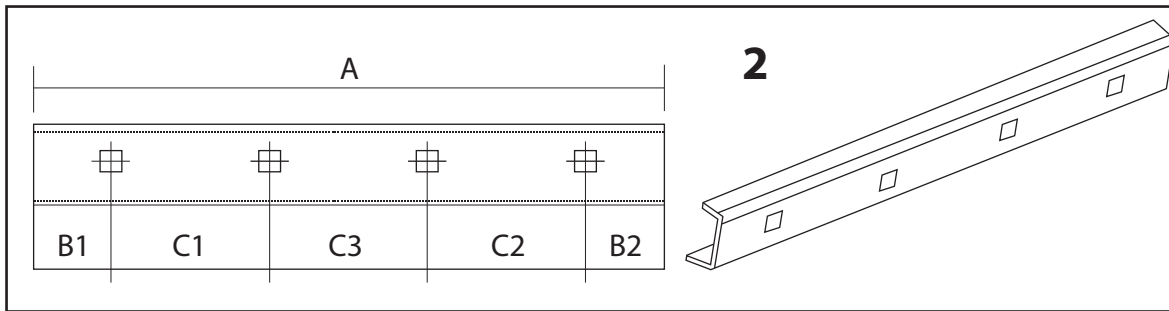
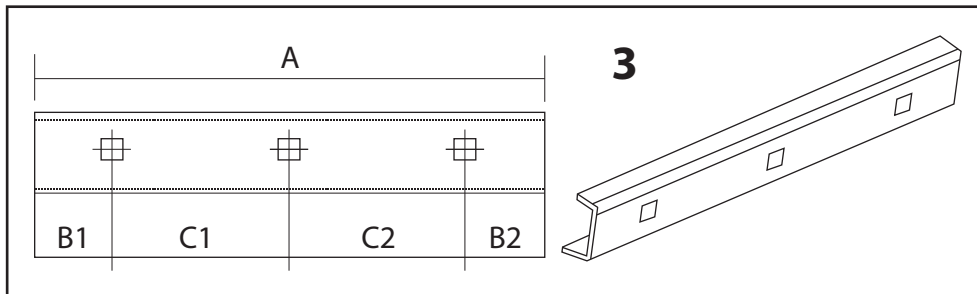


A -	mm
B1 -	mm
B2 -	mm
C1 -	mm
C2 -	mm
C3 -	mm
D1 -	mm
D2 -	mm

A -	mm
B1 -	mm
B2 -	mm
C1 -	mm
C2 -	mm
C3 -	mm

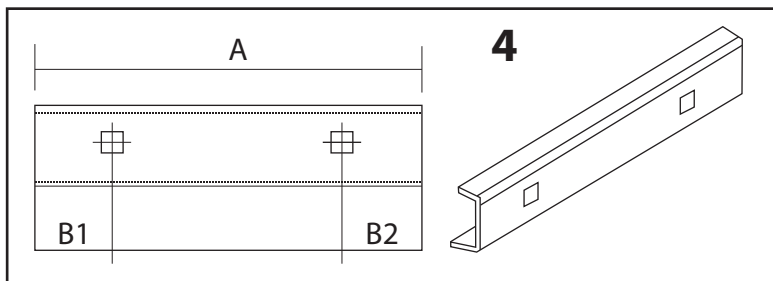


A -	mm
B1 -	mm
B2 -	mm
C1 -	mm
C2 -	mm



A -	mm
B1 -	mm
B2 -	mm

2 BEND CLAMPING PLATE



CUSTOMER INFORMATION

COMPANY:
CONTACT PERSON:
CONTACT NUMBER:
EMAIL:
SIGNATURE:

Tegman
(PTY) LTD

PROUDLY LEVEL 2 B-BBEE (52%)

Reg. No: 2017/309886/07 VAT No: 4770280362

HEAD OFFICE DURBAN
Tel: 031 563 4252
Office Cell: 072 299 4947
Email: sales@tegman.co.za
Website: www.tegman.co.za
Physical Address: Unit 31 Victoria Park,
123-127 Old North Coast Road, Glen Anil
P.O. Box 201897, Durban North, 4016

GAUTENG:
Cell: 067 008 5354
NELSPRUIT:
Cell: 068 533 4089
CAPE TOWN:
Cell: 063 516 8720