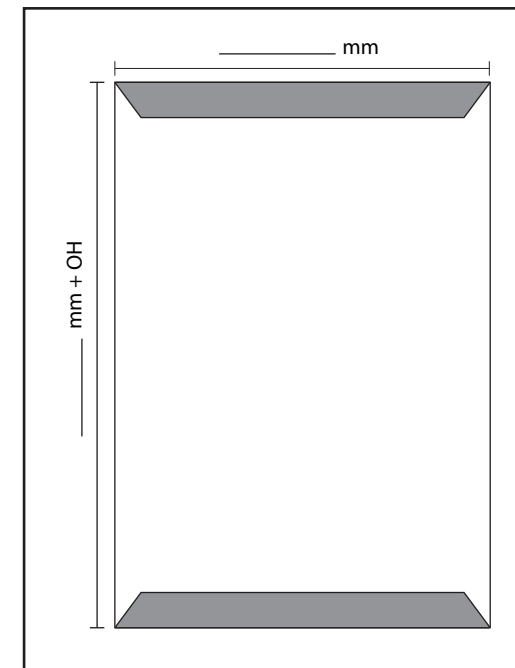
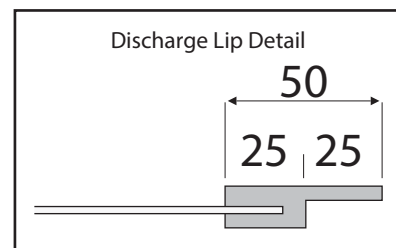
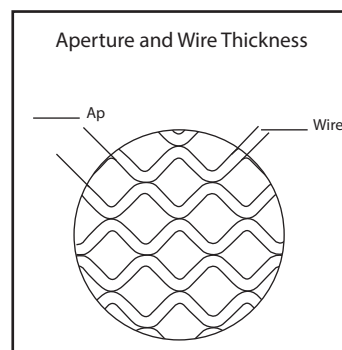
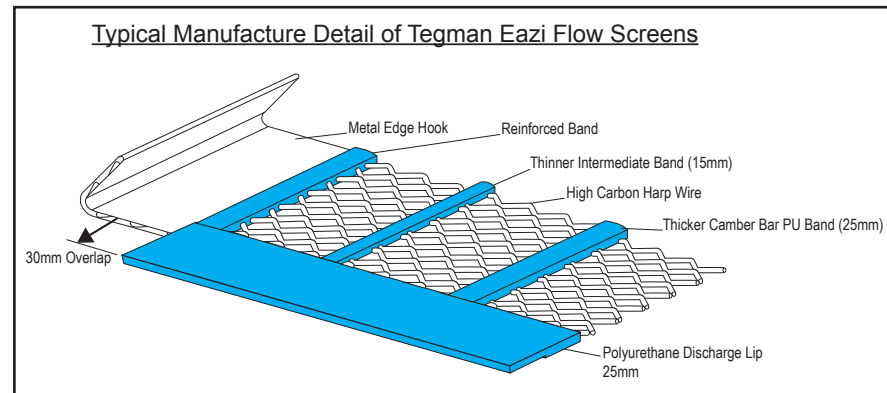
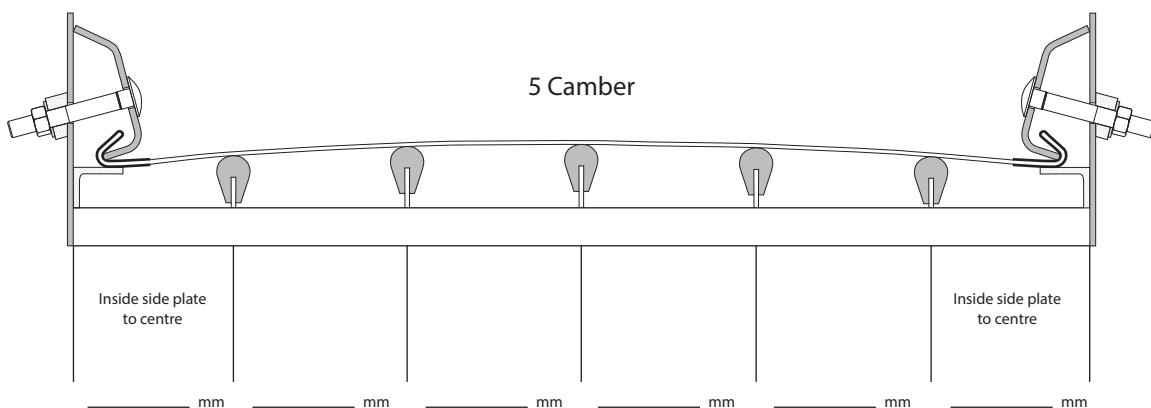
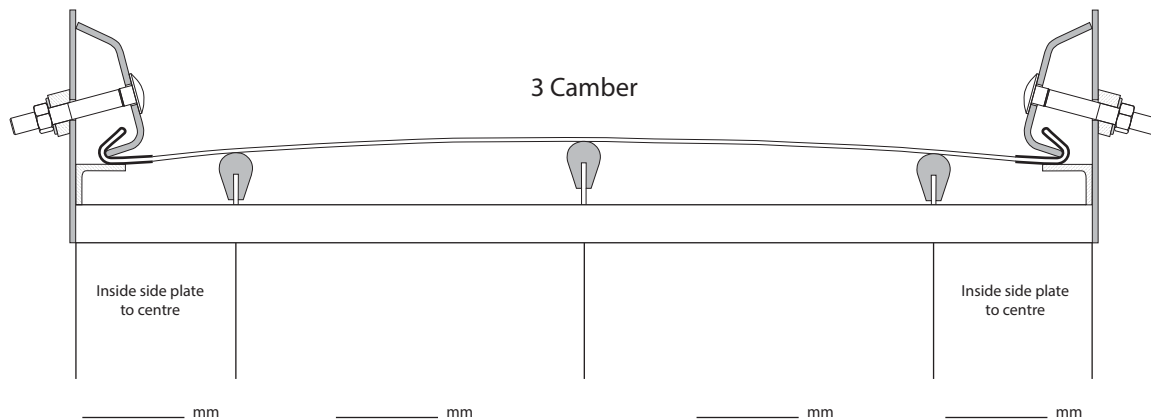


EAZI FLOW SCREEN DETAIL



Tegman

(PTY) LTD

PROUDLY LEVEL 2 B-BBEE (52%)

Reg. No: 2017/309886/07 VAT No: 4770280362

HEAD OFFICE DURBAN

Tel: 031 563 4252

Office Cell: 072 299 4947

Email: sales@tegman.co.za

Website: www.tegman.co.za

Physical Address: Unit 31 Victoria Park,
123-127 Old North Coast Road, Glen Anil

P.O. Box 201897, Durban North, 4016

GAUTENG:

Cell: 067 008 5354

NELSPRUIT:

Cell: 068 533 4089

CAPE TOWN:

Cell: 063 516 8720

CUSTOMER INFORMATION

COMPANY: _____

CONTACT PERSON: _____

CONTACT NUMBER: _____

EMAIL: _____

SIGNATURE: _____

Hook Type

