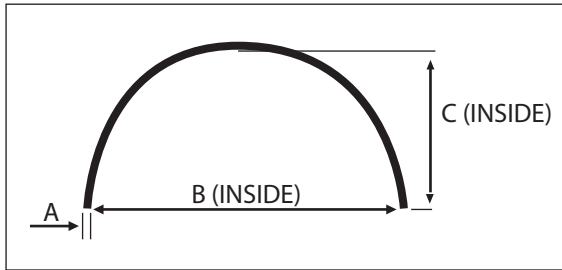
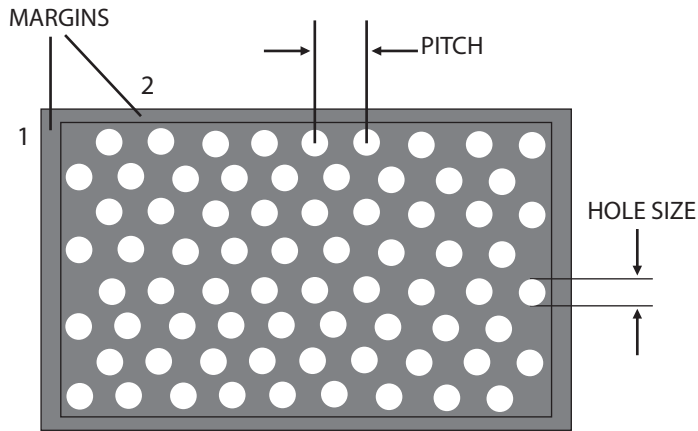
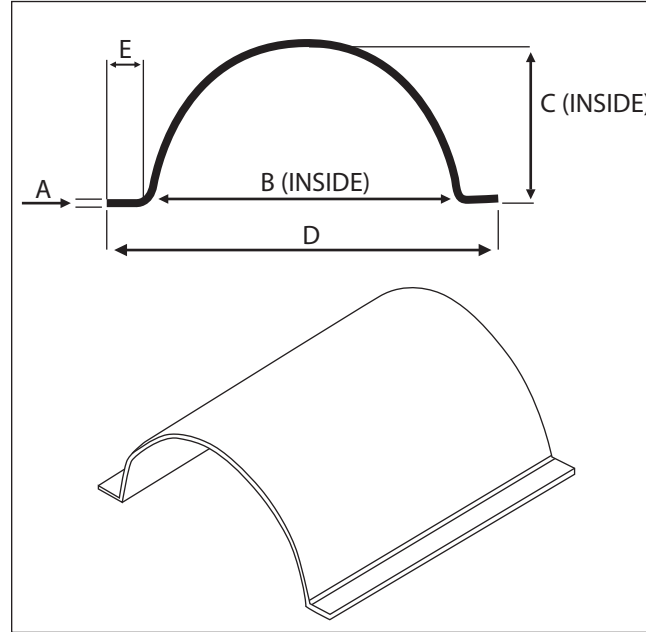


# HAMMER MILL

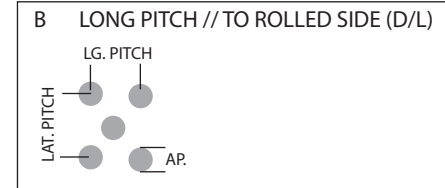
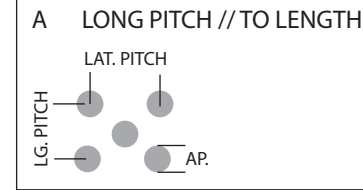
BEND OPTION: A



BEND OPTION: B



PERFORATION DIRECTION



ROUND / SQUARE / SLOT

PERFORATION DIRECTION: A B

LAT. PITCH:

LG. PITCH:

AP:

## MEASUREMENTS ARE ALL IN MM

BEND OPTION:
QUANTITY:
MATERIAL:
DEVELOPMENT SIDE:
MARGINS 1:
MARGINS 2:
A - PLATE THICKNESS:
B - INSIDE DISTANCE:
C - INSIDE HEIGHT
D - OUTSIDE DISTANCE:
E - LIP DISTANCE:

# Tegman

(PTY) LTD

**PROUDLY LEVEL 2 B-BBEE (52%)**

Reg. No: 2017/309886/07 VAT No: 4770280362

**HEAD OFFICE DURBAN**

Tel: 031 563 4252

Office Cell: 072 299 4947

Email: sales@tegman.co.za

Website: www.tegman.co.za

Physical Address: Unit 31 Victoria Park,  
123-127 Old North Coast Road, Glen Anil

P.O. Box 201897, Durban North, 4016

**GAUTENG:**

Cell: 067 008 5354

**NELSPRUIT:**

Cell: 068 533 4089

**CAPE TOWN:**

Cell: 065 817 1415

CUSTOMER:
CONTACT PERSON:
CONTACT NUMBER:
EMAIL:
APPROVED FOR MANUFACTURE SIGNATURE: